

2-weg kogelkraan

Producten 1410A en 1410

Hidroten has a vast range of solvent socket valves, Notub, F/T, M/T, fitting, flanges, Netvitc, PE and Netvitc System®, as well as assembling options in PE, PTFE and VITON. This allows us to adapt to a great range of applications and we always have the valve you need.



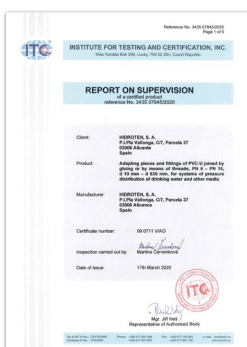
We offer our valves with two manual opening systems: basic and trigger. In both cases oversized and ergonomic handle are used, which allow a smooth movement. The trigger model allows positioning due to its toothed rim, keeping fixed positions and avoiding accidental handlings.



Hidroten ball valves are offered with a manoeuvre through an electric or pneumatic actuator with a simple or double effect. They can be motorized at any moment, which is a great advantage for future automations of the installation.



CERTIFICATIONS



Inside the pipes according to the standard UNE-EN 1452 (PVC-U) and UNE-EN 12201 (PE).



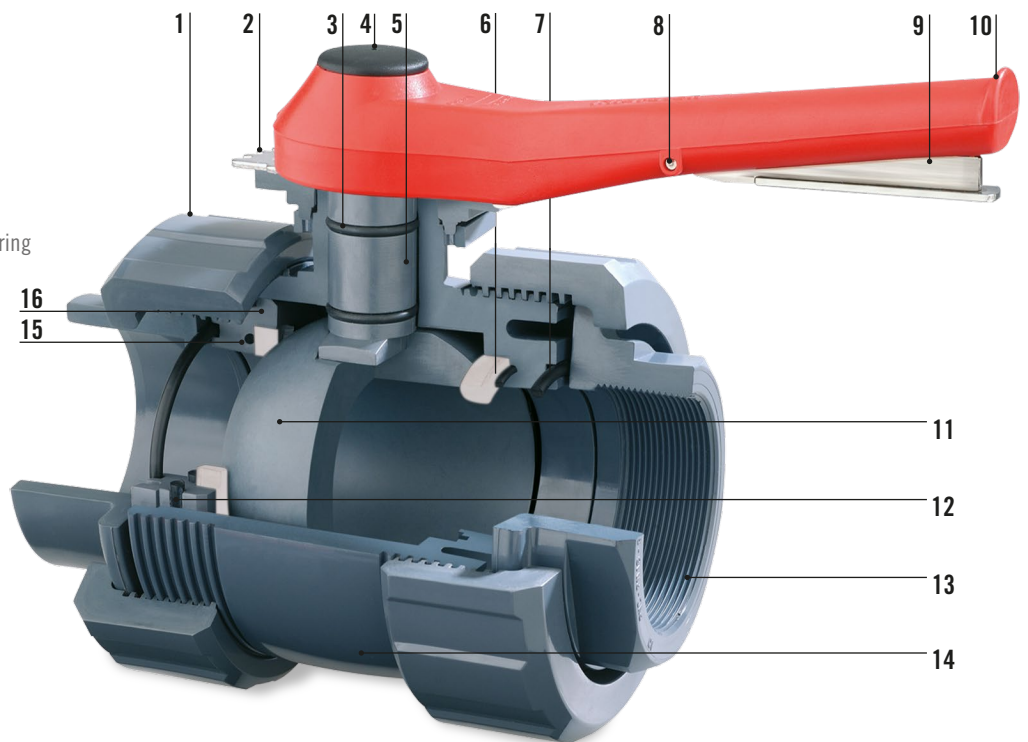
2-weg kogelkraan

SECTOR	<i>Irrigation, swimming pool and industry</i>
MATERIAL	<i>PVC-U</i>
BALL CLOSING	<i>PE option PTFE (identified with orange handle)</i>
O-RING	<i>EPDM option VITON (identified with black handle)</i>
HANDLE	<i>Two handles options: Basic and trigger</i>
ACTUATION	<i>Electric actuator and pneumatic simple or double acting</i>
PN	<i>PN 16 from Ø20 to 63; PN 10 from Ø75 to 160</i>
MEASURES	<i>From Ø20 to 160</i>

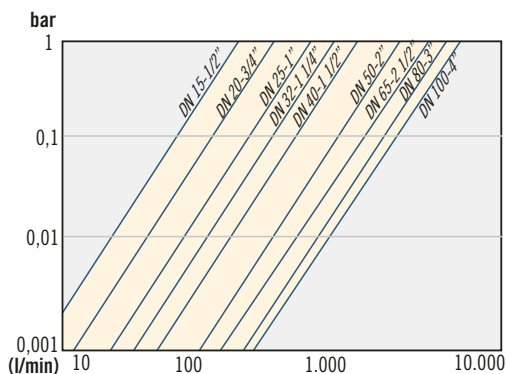
QUARTERING



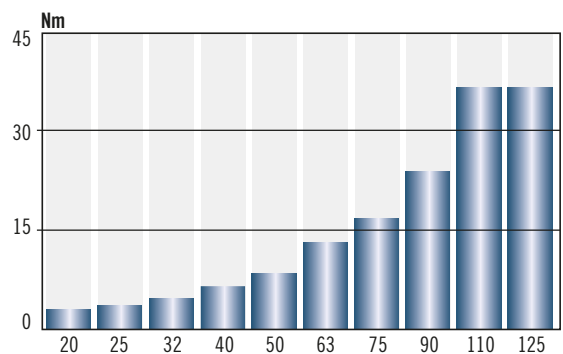
1. PVC-U nut
2. INOX A-2 crown fastening
3. EPDM or VITON o-ring
4. PP top plug
5. PVC-U piston rod
6. PE or Teflon body seal
7. EPDM or VITON seal
8. INOX A-2 closure using catch and spring
9. INOX A-2 catch
10. PPFV handle
11. PVC-U ball
12. EPDM or VITON o-ring carrier
13. PVC-U end connector
14. PVC-U body
15. EPDM or VITON body seal
16. PVC-U seat ring carrier



LOAD LOSS CURVES



OPERATION TORQUE



2-weg kogelkraan

COMBINATION RANGE

MANUAL

DN15 - DN100



BASIC

DN15 - DN40



DN50 - DN100



HANDLE CLOSING



DN113 - DN125 - DN150



DN113 - DN125
DN150



DOUBLE HANDLE TRIGGER

2-weg kogelkraan



Electric actuator

- 12-48 V.
- 80-240 V.
- Option BSR
- Option DPS



Pneumatic actuator

- Simple effet
- Double effet



Solvent socket outlet



Reinforced female threaded outlet



Male threaded outlet



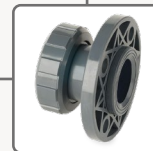
Netvitc® outlet



Coupling fitting outlet



Connection



Flange outlet



Connection



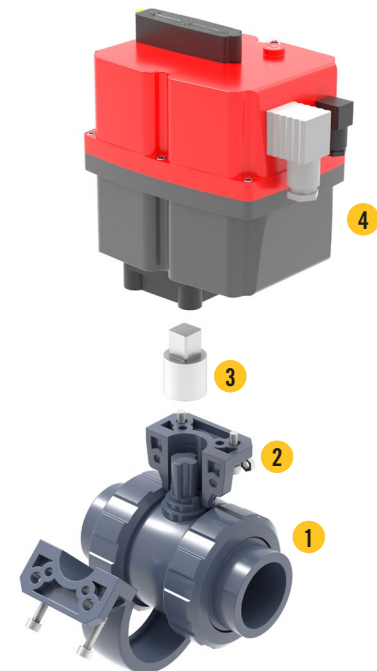
SNS® adaptor

2-weg kogelkraan

ELECTRIC ACTUATORS CHARACTERISTICS

Especificaciones / Specifications	L10	H10	B20	S20	B35	S35	B55	S55	B85	S85
Voltaje (V) / Voltage (V)	24 VAC/VDC	85-240 VAC/VDC	24 VAC/VDC	24-240 VAC/VDC	24 VAC/VDC	24-240 VAC/VDC	24 VAC/VDC	24-240 VAC/VDC	24 VAC/VDC	24-240 VAC/VDC
Frecuencia (Hz) / Frequency (Hz)	50/60	50/60	50/60	50/60	50/60	50/60	50/60	50/60	50/60	50/60
Tiempo maniobra en vacío (s) / Operation time unload (s)	17	17	10	10	10	10	13	14	30	30
Par maniobra (Nm) / Maneuver coupling (Nm)	10	10	20	20	35	35	55	55	85	85
Par arranque (Nm) / Starting coupling (Nm)	12	12	25	25	38	38	60	60	90	90
Tiempo bajo tensión (%) / Time under pressure (%)	75	75	75	75	75	75	75	75	75	75
Protección IEC 60529 / Protection IEC 60529	IP-65	IP-65	IP-67	IP-67	IP-67	IP-67	IP-67	IP-67	IP-67	IP-67
Ángulo maniobra (°) / Maneuver angle (°)	90° - 270°									
Temperatura (°C) / Temperature (°C)	-20°C +70°C									
Interruptor final carrera / Switch box assy	4 SPDT micro									
Resistencia calefactora (W) / Heater resistance (W)	3,5									
Conectores / Connectors	DIN 43650 ISO 440 & C192									
Conexión ISO 5211 / Connection ISO 5211	F-03 F-05		F-05 F-04 F-05		F-05 F-04 F-05		F-07 F-07		F-07 F-07	
Conexión DIN 3337 - Doble cuadrado Estándar/Opcional / Connection DIN 3337 - Standard double frame/optional	14 / 9 ∅ 11		14 / 9 ∅ 11		14 / 9 ∅ 11		17 / 11 ∅ 14		17 / 11 ∅ 14	
Peso (kg) / Weight (kg)	0,9	0,9	1,8	1,8	1,9	1,9	2,4	2,4	3	3

- Electric multi-voltage actuator, rotation of ¼" revolution.
- Electronic control of the coupling in order to ensure a smooth functioning and to suspend alimentation if it exceeds the maximal coupling (obstructions), which protects the actuator mechanism.
- Visual control of the operation by means of an external LED showing the actuator state.
- Emergency manual command, by selecting the manual use, the engine gets isolated from the gear assembly and it is possible to act the valve manually.
- Automatic temperature control, by means of an inner heater to maintain the internal temperature between 20 and 30°C, avoiding damages that could be caused by condensation.
- Anticorrosive materials for an optimal functional in any environment.
- Option of digital positioner DPS 2005 for control signals 4-20mA 0-10V.
- Option of security closing using batteries, BSR system.



Actuation Basic system.

N.	SECUENCIA / SEQUENCE
1	Válvula de bola / Ball valve
2	Abrazadera soporte / Clamp support
3	Adaptador / Adapter
4	Actuador / Actuator

2-weg kogelkraan

■ PNEUMATIC ACTUATORS CHARACTERISTICS

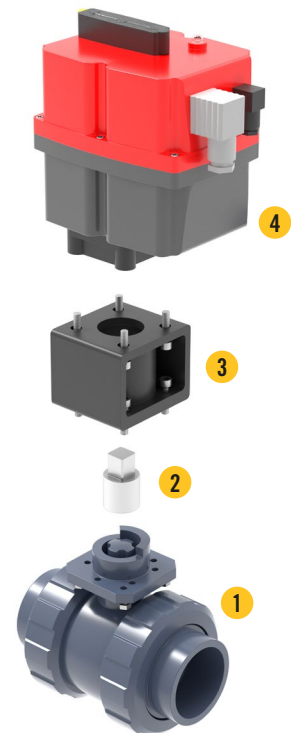
- Single acting ensures the opening by means of air and the closing by means of security springs.

MODELO MODEL	CONSUMO CONSUMPTION (Lt/ciclo)	PAR MUELLES (Nm) SPRING TORQUE		PAR ALIMENTADOR (Nm) FEEDER TORQUE		PESO (Kg.) WEIGHT	Presión aire 6 bar tiempo maniobra (sec.) / Air pressure 6 bar maneuver time	
		0°	90°	0°	90°		APERTURA OPENING	CIERRE CLOSING
H050 SE	0,23	11,5	7,0	11,5	7,0	1,2	0,6	0,6
H063 SE	0,45	18,5	12,5	18,5	12,5	1,8	0,7	0,9
H075 SE	0,61	45,1	25,3	45,2	25,3	3,3	0,6	1
H100 SE	1,8	106,4	60,0	106,4	60,2	6,8	1,1	1,3

- Double acting ensures both opening and closing movement using air.

MODELO MODEL	CONSUMO CONSUMPTION (Lt/ciclo)	PAR ACTUADOR MODEL	PESO ACTUADOR (Kg.) ACTUATOR WEIGHT	Presión aire 6 bar tiempo maniobra (sec.) / Air pressure 6 bar maneuver time	
				APERTURA OPENING	CIERRE CLOSING
H050 DE	0,23	18,5 Nm	1,07	0,6	0,6
H075 DE	0,61	70,2 Nm	2,90	0,6	0,7

- Finish of the body lower surface (Ra 0.4-0.6 um) to reduce at minimum the friction and maximize the actuator life. Body external protection: strong anodized 500Hrs. Salt fog chamber according to ASTM B117 -73. Lid external protection: epoxy-polyester coating.
- Slipping skates, low friction quotient material (LAT LUB) avoiding metal-metal contact, easily replaceable, for its maintenance with lower double hole for anchoring and centering of the valve according to ISO 5211 and DIN 3337 standards.
- Lower connection with female square shape axis according to ISO 5211/DIN 3337 for 45° or 90° assembly, without distinction.
- Direct assembly of electrovalve NAMUR STANDARD / Fitting assembly according to NAMUR VDI/DE 3845.
- Working temperature from -20°C to +80°C.
- Motion limiter for opening and closing; Control of functioning and impermeability 100% through the electronic system. Individual certification.



Actuation catch handle system.

N.	SECUENCIA / SEQUENCE
1	Válvula de bola / Ball valve
2	Abrazadera soporte / Clamp support
3	Adaptador / Adapter
4	Actuador / Actuator